

Sigma Indoor



WALL

SPECIFICATION SHEET

Sigma Indoor



Model 1740

Type

W Wall

Size

27 27.0" [686mm]
39 39.0" [991mm]
51 51.0" [1295mm]
Custom

Wattage^{1,2}

27"
L 6W (800lm)
M 12W (1485lm)
39"
L 9W (1200lm)
M 18W (2230lm)
51"
L 12W (1600lm)
M 24W (2970lm)

Color Temp³

30 3000
35 3500
40 4000

Voltage

U 120/277 Volt
1 120 Volt (DFPN only – see section Control)

Driver

RD Remote
ID Integral

Control - (RD/ID)

S Non-dim
D010 0-10V 10%
DFPN Lutron Forward Phase 1% 120 Volt
L3DAE Lutron Hi-lume 1% EcoSystem
L3DOE Hi-lume Premier 0.1% EcoSystem (remote only)

Diffuser

SA Satin clear acrylic

Finish

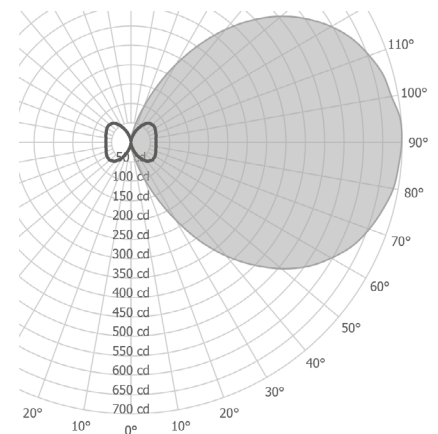
19 Painted anodized aluminum - RAL 9006 matte
21 Painted white - RAL 9010 matte
26 Painted black - RAL 9005 matte
22 Painted custom color

Notes

1 Nominal lumens value specified
2 Linear LED board, constant voltage 24 Volt
3 90+ CRI standard

Example fixture number:

1740 - W - 39 - L - 30 - U - ID - S - SA - 19



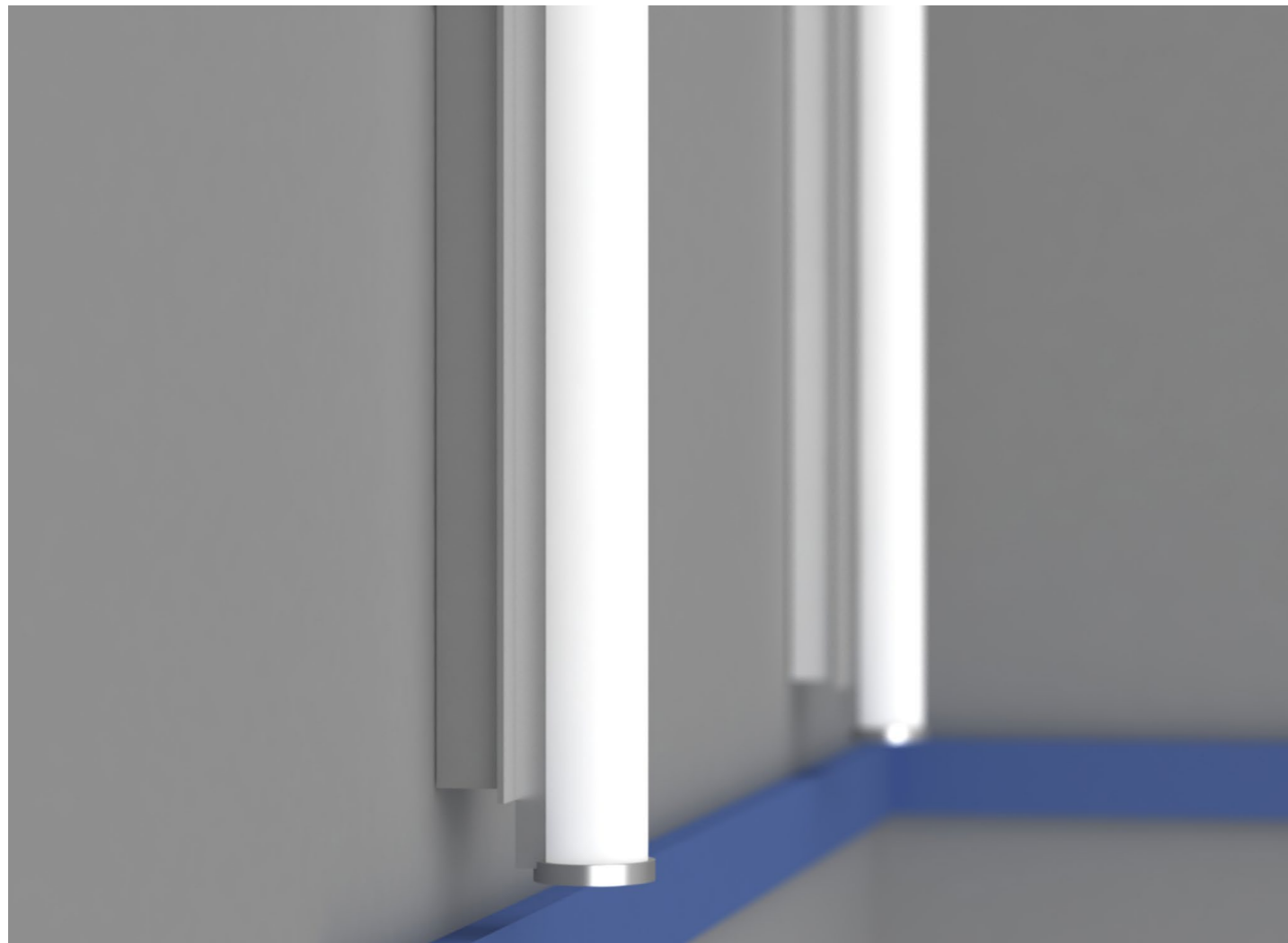
Sigma Indoor

WALL

Wall sconce with formed aluminum housing and machined end caps. The diffuser is Satin Clear Acrylic. The fixture can be arranged vertically or horizontally. Ideal illumination for architectural entrances. Well suited for hallway applications.



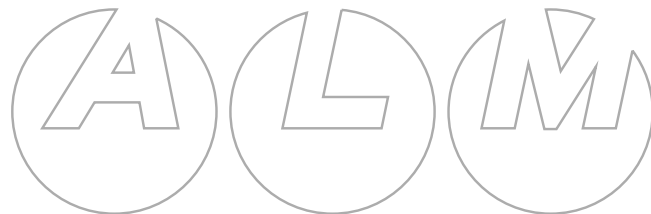
Size	
27	27" [686mm]
39	39" [991mm]
51	51" [1,295mm]
Custom	



* 50mm diameter diffuser cylinder
* Fixture is ADA compliant

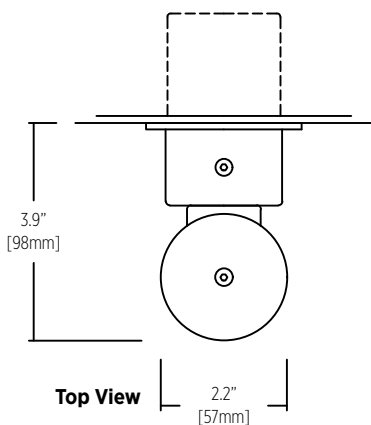
Sigma Indoor

WALL

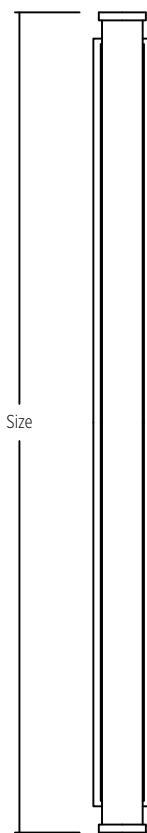


SPECIFICATION SHEET

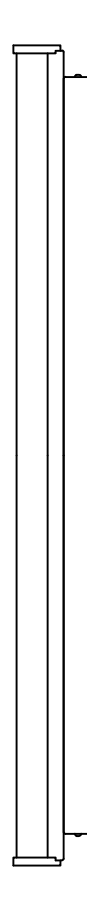
Sigma Indoor



Top View



Size



2" x 3" Vertically Oriented
Switch Box (By Others)

